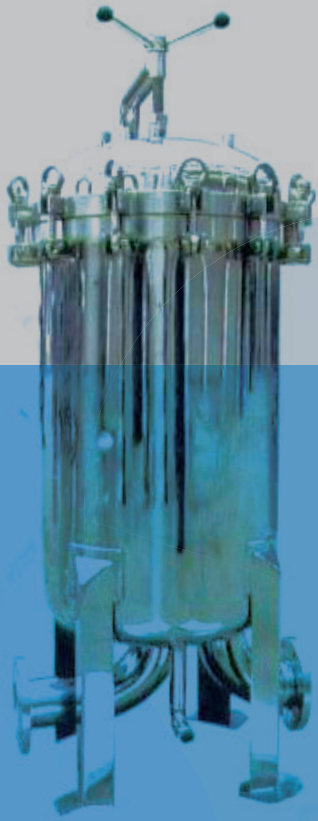


SEPARATION PROCESSES

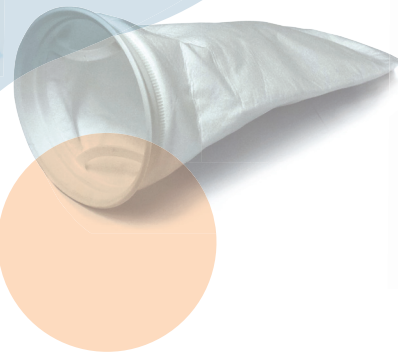
CERYX BAG FILTERS

CERYX BAG FILTERS



Material polypropylene
 Diameter 7,87 inches (220 mm)
 Length 28,35 inches (720 mm)
 Porosity 5 - 10 - 25 - 50 microns

Material polypropylene
 Diameter 7,8 inches (180 mm)
 Length 31,88 inches (810 mm)
 Porosity 5 - 10 - 25 - 50 microns



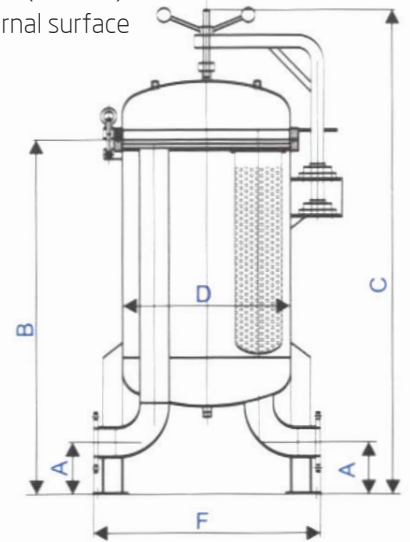
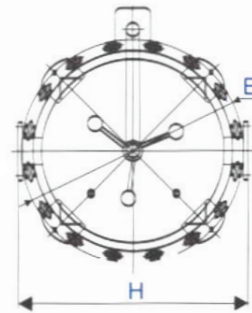
CERYX MB MULTI BAG FILTER HOUSING

Material

- STAINLESS STEEL AISI 304
- OPTIONAL STAINLESS STEEL AISI 316L

Max working pressure 150 Psi (bars 10)

Polished or shotblasted external surface



Standard specifications CERYX MB MULTI BAG FILTER HOUSING

Model	A	B	C	D	F	E	H	In/Out	Flowrate	n°Bags
CERYX-MB-450-2F	108	1100	1430	Ø 450	590	Ø 450	590	3"	60 (mc/h)	2
CERYX-MB-500-3F	150	1190	1540	Ø 500	640	Ø 500	640	4"	90 (mc/h)	3
CERYX-MB-550-4F	150	1200	1560	Ø 550	690	Ø 550	590	4"	120 (mc/h)	4
CERYX-MB-600-5F	150	1250	1630	Ø 600	740	Ø 600	740	5"	150 (mc/h)	5
CERYX-MB-700-6F	200	1380	1780	Ø 700	840	Ø 700	840	6"	180 (mc/h)	6